

DCT6400 Series

Dual Tuner DVR High-Definition Set-tops



The Motorola DCT6400 Series set-top combines the extraordinary features of digital cable – the seemingly endless programming options, interactive program guides (IPG), Video on Demand (VOD), and commercial-free, CD quality music – with dual tuner digital video recording (DVR) and the incredible picture quality and sound of your high-definition television (HDTV). The DCT6400 Series set-top offers advanced capabilities including a high-end microprocessor, expanded memory, enhanced graphics, and a full range of audio/visual inputs/outputs.

The DCT6400 Series set-top includes a direct digital connection to consumer audio and video devices through IEEE 1394-DTV and DVI interfaces. The DCT6412 set-top is fully equipped with an integrated 120 GB hard drive for hours of DVR functionality, including the ability to:

- Record hours of standard digital TV and high-definition TV content
- Maintain a personal library of recorded programming, accessed using the interactive program guide (IPG)

Simultaneously:

- Watch two programs and easily switch between them using the remote control
- Record one program while viewing another program
- Record two programs at the same time
- Watch a program recorded on your DCT6400 set-top while recording two other programs at the same time

The DCT6400 Series dual tuner combines your high-definition television with powerful interactive and entertainment services.

The DCT6400 Series set-top:

- Initiates, authorizes, and facilitates the purchase of on demand programming services
- Decodes high-definition video
- Outputs HDTV in multiple video modes
- Enables high-quality video and surround-sound audio
- Supports multi-size, factory-installed hard disk drives (HDD)
- Provides dual tuner DVR functionality to pause and time shift live video
- Includes a built in DOCSIS cable modem for IP services
- Digital outputs: IEEE 1394 / DVI



DESCRIPTION

- Advanced digital set-top that supports HDTV, Dolby 5.1, and DVR services
- Dual video tuners for watch-and-record DVR services
- Digital decode of HD video / audio content
- Robust CPU, memory footprint, and 3D graphics to run IPG, VOD, advanced applications, and middleware
- Built in DOCSIS modem for high speed interactivity
- Full range of interfaces including YPbPr, DVI, 1394, USB, Ethernet, SPDIF, and SmartCard

FEATURES

Standard Features

- MPEG-2 digital video processor
- Integrated high-definition decoder with YPbPr component output
- Built-in dual MPEG analog encoder
- PCM, AC-3, Dolby 5.1 Prologic Digital audio capability
- ITU standard 64/256 QAM/FEC/enhanced adaptive equalizer
- DOCSIS 1.0 / 1.1 capable integrated cable modem
- Three 54-860 MHz tuners (two video, one data)
- Frequency agile 2.048 Mbps out-of-band data receiver
- 32 bit, 2-D / 3-D graphics
- MIPS, RISC-based processor
- Analog/digital video scaling (Picture in Graphics)
- 16 MB Flash, 128 MB DRAM standard unified memory
- Clear analog channel processor with BTSC decoder
- DES-based encryption/DCII access control
- Digital diagnostics
- Macrovision[®] copy protection
- Full feature access from front panel

Standard Interfaces

- DVI and 1394 (DTV) digital interfaces
- Optical and electrical SPDIF / Dolby Digital connectors
- S-Video output
- RF and baseband output (Video, L/R Audio) ports
- Front and rear panel L/R audio and video inputs
- Two USB connectors (one on front panel)
- 10/100 Base-T Ethernet port (RJ45 Connector)
- Smartcard interface connector (e-commerce)
- TVPASS™ renewable security connector
- IR blaster port
- 4 digit, 7 segment LED display with IR receiver for remote or/and keyboard
- Switched Accessory Outlet

General Specifications

Dimensions	17.13 W x 12.75 H x 2.75 D
Weight	11.5 lbs

Accessories

DRC800 universal remote control (sold separately)

Specifications are subject to change without notice.

MGBI



Motorola, Inc.
Broadband Communications Sector
101 Tournament Drive
Horsham, PA 19044
1.800.523.6678
www.motorola.com/broadband

MOTOROLA and the Stylized M Logo are registered in the U.S. Patent and Trademark Office.
All other product or service names are the property of their respective owners. ©Motorola, Inc. 2004.

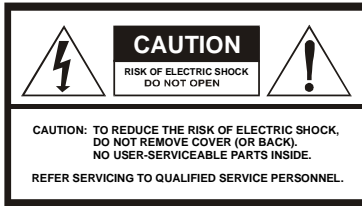
514630-001

5646 - 0504 - xK

User Guide

*DCT6400 Series
High Definition
Dual Tuner DVR
Cable Receiver*





Graphical symbols and supplemental warning marking locations on bottom of terminal.

WARNING

TO PREVENT FIRE OR SHOCK HAZARD, DO NOT EXPOSE THIS APPLIANCE TO RAIN OR MOISTURE.

CAUTION

TO PREVENT ELECTRICAL SHOCK, DO NOT USE THIS (POLARIZED) PLUG WITH AN EXTENSION CORD, RECEPTACLE, OR OTHER OUTLET UNLESS THE BLADES CAN BE FULLY INSERTED TO PREVENT BLADE EXPOSURE.



The lightning flash with arrowhead symbol, within an equilateral triangle, is intended to alert the user to the presence of un-insulated "dangerous voltage" within the product's enclosure that may be of sufficient magnitude to constitute a risk of electric shock to persons.



The exclamation point, within an equilateral triangle, is intended to alert the user to the presence of important operating and maintenance (servicing) instructions in the literature accompanying the appliance.

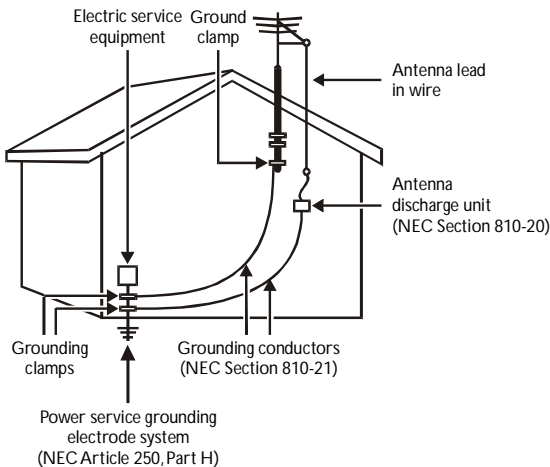
REPAIRS

If you find the unit in need of repair, call Motorola Support at **1-866-668-2271** or **1-866-MOT-BCS1**.

NOTE TO CATV SYSTEM INSTALLER

This reminder is provided to call the CATV system installer's attention to Article 820-40 of the NEC that provides guidelines for proper grounding and, in particular, specifies that the cable ground shall be connected to the grounding system of the building, as close as possible to the point of cable entry as practical.

EXAMPLE OF ANTENNA GROUNDING



NEC=NATIONAL ELECTRICAL CODE

IMPORTANT SAFETY INSTRUCTIONS

1 Read instructions

All the safety and operating instructions should be read before the appliance is operated.

2 Retain instructions

The safety and operating instructions should be retained for future reference.

3 Heed warnings

All warnings on the appliance and in the operating instructions should be adhered to.

4 Follow instructions

All operating and use instructions should be followed.

5 Cleaning

Unplug this product from the wall outlet before cleaning. Do not use liquid cleaners or aerosol cleaners. Use a damp cloth for cleaning.

6 Attachments

Do not use attachments not recommended as they may cause hazard.

7 Water and moisture

Do not use this equipment near water; for example, near a bathtub, wash bowl, kitchen sink, or laundry-tub, in a wet basement, or near a swimming pool, and the like.

8 Accessories

Do not place this product on an unstable cart, stand, tripod, bracket, or table. The product may fall causing serious injury and serious damage to the appliance. Use only with a cart, stand, tripod, bracket, or table recommended by the manufacturer, or sold with the equipment. Any mounting of the appliance should follow the manufacturer's instructions, and should use a mounting accessory recommended by the manufacturer.

9 Ventilation

Slots and openings in the cabinet are provided for ventilation and to ensure reliable operation of the equipment and to protect it from overheating. The openings should never be blocked by placing the product on a bed, sofa, rug, or similar surface. Equipment should never be placed near or over a radiator or heat register, or in a built-in installation such as a bookcase or rack unless proper ventilation is provided.

10 Power sources

This product should be operated only from the type of power sources indicated on the marking label. If you are not sure of the type of power supplied to your home, consult your local power company. For equipment intended to operate from battery power, or other sources, refer to the operating instructions.

11 Ground or polarization

This equipment may be equipped with a polarized alternating-current line plug (a plug having one blade wider than the other). This plug will fit into the power outlet only one way. This is a safety feature. If you are unable to insert the plug fully into the outlet, try reversing the plug. If the plug should still fail to fit, contact your electrician to replace your obsolete outlet. Do not defeat the safety purpose of the polarized plug.

12 Alternate warnings

This equipment may be equipped with a 3-wire grounding-type plug, a plug having a third (grounding) pin. This pin will only fit into a grounding-type power outlet. This is a safety feature. If you are unable to insert the plug into the outlet, contact your electrician to replace your obsolete outlet. Do not defeat the safety purpose of the grounding-type plug.

13 Power cord protection

Power supply cords should be routed so that they are not likely to be walked on or pinched by items placed upon or against them, paying particular attention to cords at plugs, convenience receptacles, and the point where they exit from the appliance

IMPORTANT SAFETY INSTRUCTIONS

14 Outdoor Antenna Grounding

If an outside antenna or cable system is connected to the equipment, be sure the antenna or cable system is grounded as to provide some protection against voltage surges and built-up static charges.

15 Lightning

For added protection for this equipment during a lightning storm, or when it is left unattended and unused for long periods of time, unplug it from the wall outlet and disconnect the antenna or cable system. This will prevent damage to the video product due to lightning and power line surges.

16 Power lines

An outside antenna system should not be located in the vicinity of overhead power lines or where it can fall into such power lines or circuits. When installing an outside antenna system, extreme care should be taken to keep from touching such power lines or circuits, as contact with them may be fatal.

17 Overloading

Do not overload wall outlets and extension cords as this can result in a risk of fire or electrical shock.

18 Object and liquid entry

Never push objects of any kind into this equipment through openings, as they may touch dangerous voltage points or short-out parts that could result in a fire or electrical shock. Never spill liquid of any kind on the product.

19 Servicing

Do not attempt to service this equipment yourself, as opening or removing covers may expose you to dangerous voltage or other hazards, refer all servicing to qualified service personnel.

20 Damage requiring service

Unplug this equipment from the wall outlet and refer servicing to qualified service personnel under the following conditions:

- a When the power supply cord or plug is damaged.
- b If the equipment has been exposed to rain or water.
- c If liquid has been spilled, or objects have fallen into the equipment.
- d If the equipment does not operate normally by following the operating instructions. Adjust only those controls that are covered by the operating instructions, as an improper adjustment of other controls may result in damage and will often require extensive work by a qualified technician to restore the equipment to its normal operation.
- e If the equipment has been dropped or cabinet has been damaged.
- f When the equipment exhibits a distinct change in performance, indicating a need for service.

21 Replacement parts

When replacement parts are required, be sure the service technician has used replacement parts specified by the manufacturer or have the same characteristics as the original part. Unauthorized substitutions may result in fire, electric shock, or other hazards.

22 Safety check

Upon completion of any service or repairs to this video product, ask the service technician to perform safety checks to determine that the product is in proper operational condition.

IMPORTANT SAFETY INSTRUCTIONS

23 Battery usage

Notwithstanding any information provided by Motorola in this manual regarding the use of batteries, the end user assumes all responsibility and liability to use and dispose of batteries in accordance with all applicable laws, rules and regulations. Motorola will not be liable to anyone for the end user's failure to use and/or dispose of batteries in the proper manner and in accordance with such laws, rules and regulations, or for any defect contained in batteries which may cause injury damage to persons or property.

24 Heat

This product should be situated away from heat sources such as radiators, heat registers, stoves, or other products (including amplifiers) that produce heat.

Regulatory Information

Federal Communications Commission Radio and Television Interface Statement for a Class 'B' Device

This equipment has been tested and found to comply with the limits for a Class B digital device, pursuant to part 15 of the FCC Rules. These limits are designed to provide reasonable protection against harmful interference in the residential installation. This equipment generates, uses and can radiate radio frequency energy and, if not installed and used in accordance with the instructions, may cause harmful interference to radio communications. However, there is no guarantee that interference will not occur in a particular installation.

If the equipment does cause harmful interference to radio or television reception, which can be determined by turning the equipment off and on, the user is encouraged to try to correct the interference by one of the following measures:

- Increase the separation between the equipment and the affected receiver
- Connect the equipment on a circuit different from the one the receiver is on
- Ensure that the cover plate for the security card is secured and tight

Changes or modification not expressly approved by the party responsible for compliance could void the user's authority to operate the equipment.

Declaration of Conformity

According to 47 CFR, Parts 2 and 15 for Class B Personal Computers and Peripherals; and/or CPU Boards and Power Supplies used with Class B Personal Computers, Motorola, Inc., 6450 Sequence Drive, San Diego, CA 92121, 1-800-225-9446, declares under sole responsibility that the product identifies with 47 CFR Part 2 and 15 of the FCC Rules as a Class B digital device. Each product marketed is identical to the representative unit tested and found to be compliant with the standards. Records maintained continue to reflect the equipment being produced can be expected to be within the variation accepted, due to quantity production and testing on a statistical basis as required by 47 CFR 2.909. Operation is subject to the following condition: This device must accept any interference received, including interference that may cause undesired operation. The above named party is responsible for ensuring that the equipment complies with the standards of 47 CFR, Paragraphs 15.101 to 15.109. The Class B digital apparatus meets all requirements of the Canadian Interface Causing Equipment Regulations.

Software License

IMPORTANT: PLEASE READ THIS SOFTWARE LICENSE ("LICENSE") CAREFULLY BEFORE YOU USE ANY SOFTWARE, FIRMWARE AND RELATED DOCUMENTATION ("SOFTWARE") PROVIDED WITH MOTOROLA'S DIGITAL CABLE RECEIVER OR HOME THEATER SYSTEM (EACH SHALL BE REFERRED TO IN THIS LICENSE AS A "RECEIVER"). BY USING THE RECEIVER AND/OR USING ANY OF THE SOFTWARE, YOU INDICATE YOUR ACCEPTANCE OF EACH OF THE TERMS OF THIS LICENSE. UPON ACCEPTANCE, THIS LICENSE WILL BE A LEGALLY BINDING AGREEMENT BETWEEN YOU AND MOTOROLA. THE TERMS OF THIS LICENSE APPLY TO YOU AND TO ANY SUBSEQUENT USER OF THIS SOFTWARE.

IF YOU DO NOT AGREE TO ALL OF THE TERMS OF THIS LICENSE (I) DO NOT USE THE SOFTWARE AND (II) RETURN THE RECEIVER AND THE SOFTWARE (COLLECTIVELY, "PRODUCT"), INCLUDING ALL COMPONENTS, DOCUMENTATION AND ANY OTHER MATERIALS PROVIDED WITH THE PRODUCT, TO YOUR POINT OF PURCHASE OR SERVICE PROVIDER, AS THE CASE MAY BE, FOR A FULL REFUND.

The Software includes associated media, any printed materials, and any "on-line" or electronic documentation. Software provided by third parties may be subject to separate end-user license agreements from the manufacturers of such Software. The Software is never sold. Motorola licenses the Software to the original customer and to any subsequent licensee for personal use only on the terms of this License. Motorola and its third party licensors retain the ownership of the Software.

SOFTWARE LICENSE

You may:

USE the Software only in connection with the operation of the Product.

TRANSFER the Software (including all component parts and printed materials) permanently to another person, but only if the person agrees to accept all of the terms of this License. If you transfer the Software, you must at the same time transfer the Product and all copies of the Software (if applicable) to the same person or destroy any copies not transferred.

TERMINATE this License by destroying the original and all copies of the Software (if applicable) in whatever form.

You may not:

(1) Loan, distribute, rent, lease, give, sublicense or otherwise transfer the Software, in whole or in part, to any other person, except as permitted under the TRANSFER paragraph above. (2) Copy or translate the User Guide included with the Software, other than for personal use. (3) Copy, alter, translate, decompile, disassemble or reverse engineer the Software, including but not limited to, modifying the Software to make it operate on non-compatible hardware. (4) Remove, alter or cause not to be displayed, any copyright notices or startup message contained in the Software programs or documentation. (5) Export the Software or the Product components in violation of any United States export laws.

The Product is not designed or intended for use in on-line control of aircraft, air traffic, aircraft navigation or aircraft communications; or in design, construction, operation or maintenance of any nuclear facility. MOTOROLA AND ITS THIRD PARTY LICENSORS DISCLAIM ANY EXPRESS OR IMPLIED WARRANTY OF FITNESS FOR SUCH USES. YOU REPRESENT AND WARRANT THAT YOU SHALL NOT USE THE PRODUCT FOR SUCH PURPOSES.

Title to this Software, including the ownership of all copyrights, mask work rights, patents, trademarks and all other intellectual property rights subsisting in the foregoing, and all adaptations to and modifications of the foregoing shall at all times remain with Motorola and its third party licensors. Motorola retains all rights not expressly licensed under this License. The Software, including any images, graphics, photographs, animation, video, audio, music and text incorporated therein is owned by Motorola or its third party licensors and is protected by United States copyright laws and international treaty provisions. Except as otherwise expressly provided in this License, the copying, reproduction, distribution or preparation of derivative works of the Software, any portion of the Product or the documentation is strictly prohibited by such laws and treaty provisions. Nothing in this License constitutes a waiver of Motorola's rights under United States copyright law.

This License and your rights regarding any matter it addresses are governed by the laws of the Commonwealth of Pennsylvania, without reference to conflict of laws principles. THIS LICENSE SHALL TERMINATE AUTOMATICALLY if you fail to comply with the terms of this License.

Motorola is not responsible for any third party software that is provided as a bundled application, or otherwise, with the Software or that is downloaded to, or otherwise installed on, the Product.

U.S. GOVERNMENT RESTRICTED RIGHTS

The Product and documentation is provided with RESTRICTED RIGHTS. The use, duplication or disclosure by the Government is subject to restrictions as set forth in subdivision (c)(1)(ii) of The Rights in Technical Data and Computer Software clause at 52.227-7013. The contractor/manufacturer is Motorola, Inc., Broadband Communications Sector, 101 Tournament Drive, Horsham, PA 19044.

Canadian Compliance

This Class B digital apparatus meets all requirements of the Canadian Interference-Causing Equipment Regulations. Cet appareil numérique de la classe B respecte toutes les exigences du Règlement sur le matériel brouilleur du Canada.

Contact Us

For technical support of your Receiver, call Motorola Support at **1-866-668-2271** or **1-866-MOT-BCS1**.

For questions about your cable TV service, call your local cable service provider.

For Motorola consumer cable products, education, and support:

<http://www.motorola.com/broadband>

Copyright © 2004 Motorola, Inc.

All rights reserved. No part of this publication may be reproduced in any form or by any means or used to make any derivative work (such as translation, transformation or adaptation) without written permission from Motorola, Inc.

Motorola reserves the right to revise this publication and to make changes in content from time to time without obligation on the part of Motorola to provide notification of such revision or change. Motorola provides this guide without warranty of any kind, either implied or expressed, including but not limited to, the implied warranties of merchantability and fitness for a particular purpose. Motorola may make improvements or changes in the product(s) described in this manual at any time.

MOTOROLA and the Stylized M Logo are registered in the US Patent & Trademark Office. Dolby Digital manufactured under license from Dolby Laboratories Licensing Corporation. Dolby, Dolby Digital, ProLogic and the double-D symbol are registered trademarks of Dolby Laboratories Licensing Corporation. All other product or service names are the property of their respective owners.

© Motorola, Inc. 2004

CONTENTS

Introduction	3
Operation	6
Turning Power On and Off	6
Changing Channels	6
Adjusting the Volume	6
Interactive Program Guide	6
Digital Video Recorder (DVR)	7
What is DVR?	7
Optimizing Your DCT* For High Definition TV	9
User Settings	11
On-Screen Graphics	14
Connecting Your DCT*	15
Video Options	16
Important Safety Considerations	17
Connecting Your DCT* to a HDTV – Video Only	18
Connecting Your DCT* to a HDTV – Audio Only	20
Connecting Your DCT* to an A/V Receiver – Audio Only	22
Connecting Your DCT* to a Stereo TV	24
Connecting Your DCT* to a Stereo TV and Stereo VCR	26
Connecting Your DCT* to an A/V Receiver, TV, and VCR	28



MOTOROLA

Recording Your Connections	30
Data Devices	31
Data Features	31
Troubleshooting	32

INTRODUCTION

Welcome and congratulations on receiving a Motorola DCT6400 Series High Definition Dual Tuner DVR Cable Receiver, one of the most advanced interactive digital cable receivers available today. With the DCT*, Motorola has merged the extraordinary features of digital cable – the seemingly endless programming options, interactive program guides, Video on Demand (VOD), and commercial free, CD quality music – with the flexibility of a dual tuner digital video recorder (DVR) and the incredible picture quality and sound of high definition TV (HDTV).

The DCT* includes an “Entertainment Package” that enables a direct digital connection to consumer audio and video devices through 1394-DTV and DVI interfaces. The DCT* is fully equipped with a factory installed hard drive for hours of DVR functionality, which includes the capability of recording high definition (HD) programs and watch and record functionality.

This User Guide introduces you to the basic features of the DCT*, outlines important safeguards, and provides several options for integrating this component into your current entertainment system. Please take a few moments to read through this User Guide as the configuration diagrams, on-screen menu description, and troubleshooting section will help you make the most of your home entertainment experience.

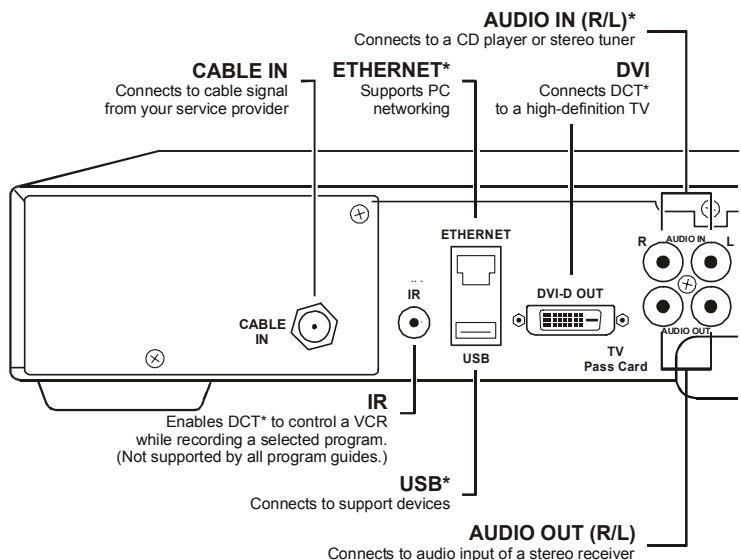
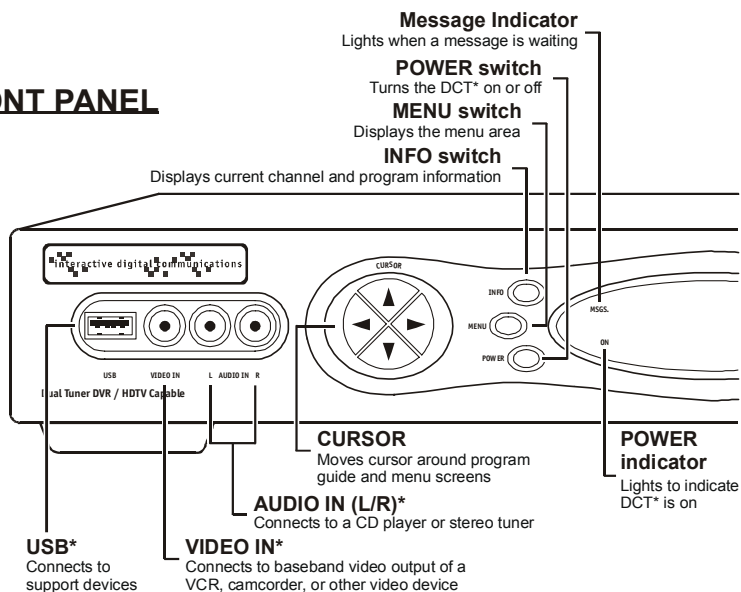
To determine which features of digital cable are provided in your service area, please check with your local cable operator. They will be happy to provide instructions for these optional services.

In this manual, DCT refers to the DCT6400 Series of High Definition Cable Receivers: the DCT6412 and DCT6416.*

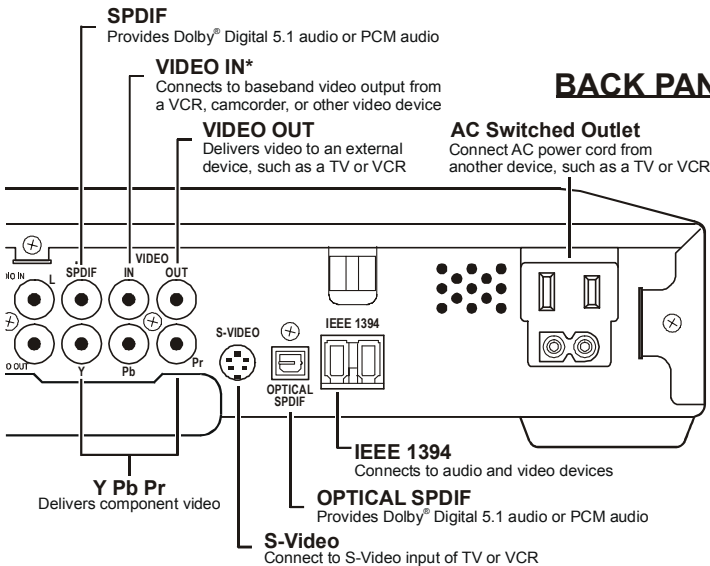
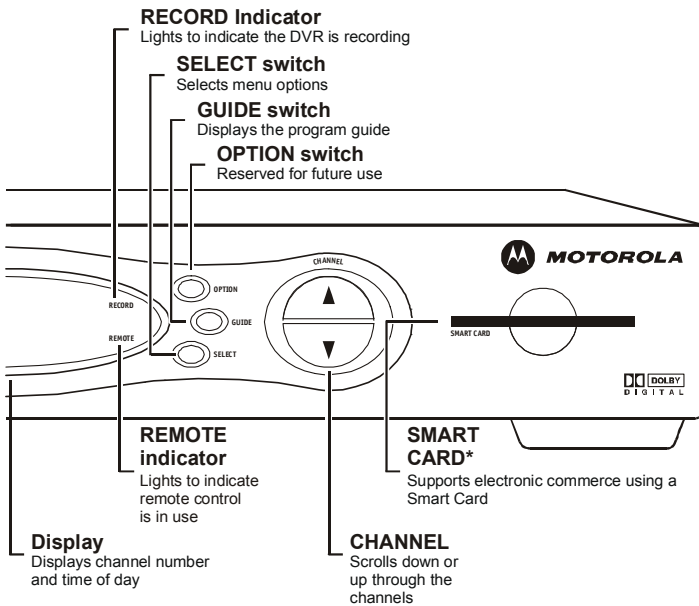


MOTOROLA

FRONT PANEL



DCT6400 Series User Guide



***Your DCT* may not support all of the inputs and outputs shown.**



OPERATION

Turning Power On and Off

Press **POWER** on the front panel to turn the DCT* on or off. When using the remote control, be sure it is in cable mode by pressing **CABLE** before pressing **POWER**.

Changing Channels

You can change channels in two ways:

- Press **CHANNEL ▲** or **▼** on the front panel of the DCT*, or press **CHANNEL +** or **-** on the remote control to step through the channel selection.
- Enter the number of the channel you wish to view using the number keys on the remote control.

Adjusting the Volume

Press **VOLUME +** or **-** on the remote control to adjust the volume. When you adjust the volume, the volume scale is displayed on the screen. Press **MUTE** on the remote control to turn the sound off and on again.

For best audio quality, use the remote control to set the DCT* to approximately $\frac{3}{4}$ of the maximum volume level and then adjust the audio levels on external devices such as your TV or A/V Receiver.

Interactive Program Guide

The interactive program guide displays information about TV programs and enables you to access features such as Parental Control or Pay-Per-View. Interactive program guides can vary with each cable service provider. Refer to the interactive program guide instruction manual for detailed instructions.

DIGITAL VIDEO RECORDER (DVR)

The DCT* is equipped with an internal hard drive for DVR functionality, which provides the ability to record both standard definition TV (SDTV) and high definition TV (HDTV) programs. Storage time depends on the video format and the bit rate at which it is received.

What is DVR?

DVR stands for Digital Video Recorder. A standard VCR records and plays analog video. DVR records and plays digital video. Unlike an analog cassette tape, the DCT*'s hard drive allows recording and playback to occur simultaneously.

DVR offers the ability to control your viewing experience by pausing (time shifting) live TV and providing trick playback modes (pause, fast forward, slow forward, fast rewind, slow rewind). You may experience a slight delay between time shifted and live TV.

With the DCT*, you can:

Record Programming

Record hours of TV programming. The total hours of recorded content will vary based on the storage capacity of your DCT* and type of content (digital, analog, or HD) being recorded.

Maintain a Personal Program Library

Maintain a personal library of recorded programming, accessed by using the electronic program guide (EPG).

Control Live TV

Pause, rewind, and fast-forward live TV.

Simultaneously Watch Two Programs

Watch two programs and easily switch between them using the **SWAP** key on your remote control. (Dependent upon program guide support.)

Simultaneous Watch and Record

Record one program in the background while viewing another live broadcast at the same time.



MOTOROLA

Simultaneously Record Two Shows

Record two programs from two different channels at the same time.

Simultaneously Record Two Shows and Watch a Recorded Program

Watch a program recorded on your DCT* while recording up to two other programs at the same time. You can also easily switch viewing the pre-recorded program and either of the programs you're recording.

OPTIMIZING YOUR DCT* FOR HIGH DEFINITION TV

The DCT* enables you to view HD programming. HDTV provides up to twice the color resolution and up to six times the sharpness of standard definition TV.

The Motorola DCT* delivers high-quality video for HDTVs using the YPbPr (component), DVI-D, and IEEE 1394 connectors. This section describes how to use the on-screen display to set your DCT* to automatically optimize both standard and HD video based on your HDTV and personal preferences.

If you use the IEEE 1394 connector, no adjustments to your settings are required.

If you have a TV with a DVI connection, be sure that the TV is on and connected to the DVI-D OUT connector of the DCT before adjusting the settings.*

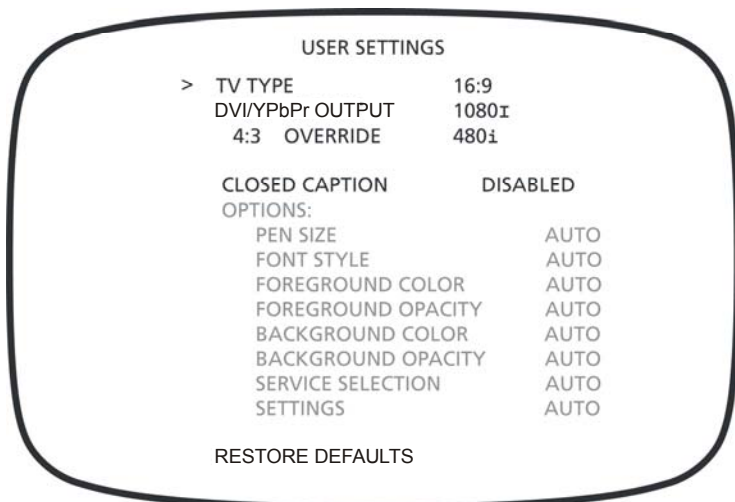
You can use your on-screen menu to configure your HD settings for TV type, DVI and/or YPbPr video output, and closed captioning.

To access your HD settings:

- 1 Ensure that your DCT* is plugged into a power outlet and is turned off.



- 2 Press the **MENU** key on the front panel. If your TV is on, the on-screen display menu appears listing the settings you can configure.



Use your remote control or the cursor keys on the front panel to navigate the on-screen display:

- Press the **▲** and **▼** keys to highlight the setting you wish to change. Press the **▶** key to select an option for that setting.
- To exit the setting and move to another setting, use the **▲** and **▼** keys.
- To exit the menu and save your settings, press the **POWER** or **MENU** key.

The HD settings are described in the table on the following pages.

The DVI/YPbPr OUTPUT setting is displayed as YPbPr OUTPUT if you are not using the DVI video connection. The user settings will also be displayed on the front panel display whether your TV is off or on.

If the on-screen display menu does not appear on your HDTV screen, your TV may not support the default video output setting. Use the DCT front panel display to view and change your settings.*

User Settings

Setting	Description
TV Type	<p>Sets the aspect ratio. The front panel display indicates the type you select. Defaults to 16:9. Options are 16:9 for wide screen TVs or 4:3 LETTERBOX or 4:3 PAN/SCAN for standard TVs:</p> <ul style="list-style-type: none">• 4:3 LETTERBOX fits widescreen programming on the screen by placing black bars at the top and bottom.• 4:3 PAN/SCAN fills the screen by cropping the left and right edges of widescreen programming.
DVI/YPbPr Output	<p>Sets the video display format for the component video outputs. The front panel display indicates the format you select. Defaults to 1080i. Options are 1080i, 720p, 480p, or 480i.</p> <p>Some TVs only support certain display formats. Check your TV user manual for more information.</p> <p><i>If you are not using an HDTV with the DCT*, selecting a format other than 480i causes the on-screen display to go blank. If this occurs, you can view the settings on the front panel display to change the YPbPr Output back to 480i.</i></p> <p>If you are not using the DVI video connection, the DVI/YPbPr OUTPUT setting displays as YPbPr OUTPUT.</p>



Setting	Description
4:3 Override	<p>Sets the display format for 4:3 standard-definition programming. If the YPrPb Output is set to 1080i, 720p, or 480p, this setting defaults to 480i. If the YPrPb Output is set to 480i, this setting defaults to OFF and cannot be changed. Options are:</p> <ul style="list-style-type: none">• OFF displays non-high-definition programs having a 4:3 aspect ratio in wide screen format. On an HDTV, black bars display on the left and right of the picture. Selecting OFF for a 4:3 TV may result in a small picture with black bars around it.• 480i displays non-high-definition programs in their original 480i format. Some TVs cannot display 480i format on their component video inputs (YPbPr). Check the TV user manual for more information. Graphics overlaying the video are displayed.• 480p converts non-high-definition TV programs to a higher-quality 480p format. Some TVs cannot display 480p format on their component video inputs (YPbPr). Check the TV user manual for more information. Graphics overlaying the video are not displayed.• Stretch automatically stretches all standard definition programming to fill your widescreen display. Stretch can only be selected if you have TV Type set to 16:9.
Closed Caption	<p>Turns closed captions off or on. The front panel display indicates the status of the closed captions. Defaults to DISABLED. Options are ENABLED or DISABLED.</p>
Pen Size	<p>Sets the font size for closed captions. Defaults to AUTO. Options are AUTO, STANDARD, LARGE, or SMALL.</p>
Font Style	<p>Sets the font style for closed captions. Defaults to AUTO. Options are AUTO, MONO SERIF, PROPORTION SERIF, MONO NO SERIF, PROPORTION NO SERIF, CASUAL, CURSIVE, or SMALL.</p>
Foreground Color	<p>Sets the foreground color for closed captions. Defaults to AUTO. Options are AUTO, WHITE, BLACK, RED, GREEN, BLUE, YELLOW, MAGENTA, or CYAN.</p>
Foreground Opacity	<p>Sets the opacity of the closed captions foreground. Defaults to AUTO. Options are AUTO, TRANSPARENT, TRANSLUCENT, SOLID, or FLASHING.</p>

Setting	Description
Background Color	Sets the background color for closed captions. Defaults to AUTO. Options are AUTO, WHITE, BLACK, RED, GREEN, BLUE, YELLOW, MAGENTA, or CYAN.
Background Opacity	Sets the background opacity for closed captions. Defaults to AUTO. Options are AUTO, TRANSPARENT, TRANSLUCENT, SOLID, or FLASHING.
Service Selection	Sets the service for closed captions. Defaults to AUTO. Options are AUTO, PRIMARY LANGUAGE, SECONDARY LANGUAGE, 3, 4, 5, or 6.
Settings	Sets the default settings for closed captions (AUTO) or the settings you have configured (USER). Defaults to AUTO. Options are AUTO or USER.
Restore Defaults	Resets the on-screen display options to their default settings.



MOTOROLA

ON-SCREEN GRAPHICS

The DCT* can generate graphics that overlay the video programming or fill the entire television screen. Common examples include on-screen menus (such as the User Setting menu), closed captions, and interactive program guides. The DCT* overlays these graphics whenever you open a menu, enable closed captions, or scroll through a program grid.

On-screen graphics are not available on all DCT* YPbPr output setting and video output combinations:

- On-screen graphics are always available if your DCT* is connected through the HD outputs (DVI or YPbPr)
- Standard definition connections (S-Video or composite Video) will only display on-screen graphics if the **YPbPr Output** is set to **480i**
- On-screen graphics will not be displayed when you are using the IEEE 1394 connection on the rear panel of the DCT*

The YPbPr Output setting can be configured from the on-screen menu.

CONNECTING YOUR DCT*

This section describes how to connect the DCT* to your home entertainment system.

Instructions and diagrams are included for the following connections to the DCT*:

- High Definition Television (HDTV)
- A/V Receiver – Audio
- Stereo TV
- Stereo TV and Stereo VCR
- A/V Receiver, TV, and VCR

In this manual, DCT refers to the DCT6400 Series of High Definition Cable Receivers: DCT6412 and DCT6416.*

Before you move or change components on your entertainment system, review the following:

- For basic cable connections, use 75-ohm coaxial cables equipped with F-type connectors.
- Disconnect power from the DCT* before connecting or changing cable connections.

For information on connecting for HDTV, see “Video Options” on the next page.

CAUTION!



Do not place anything on top of the DCT, especially other home entertainment components. Be sure to provide adequate ventilation to prevent overheating.*



Video Connection Options

The DCT* offers five different video connection options. Component video, DVI, and IEEE 1394 allow you to view both HD and standard TV programming. Composite video and RF coaxial connections allow you to view only standard definition TV programming.

To determine whether your TV features component video, DVI, IEEE 1394, S-Video, or composite video, check the manual supplied with your TV.

Use the guidelines below to determine the best video connection for your home entertainment system:

- **Component video (YPbPr) – HDTV and SDTV**

The YPbPr connectors on your DCT* provide HD component video. Component is the most widely supported HD video connection.

- **S-Video – SDTV**

If component video connections are not available on your TV, use the S-Video connection.

- **Video (also referred to as composite video) – SDTV**

If S-Video is not available, use the composite video (VIDEO) connection.

- **RF Input – SDTV**

If your TV only has an RF input, you can connect to the DCT* using a RF Modulator, which can be purchased at most electronics stores.

- **DVI or IEEE 1394 – HDTV and SDTV**

DVI and IEEE 1394 offer higher quality HD video than component video.

If your TV has a DVI input, connect to the DVI-D connections on your DCT* instead of the IEEE 1394 connection.

The IEEE 1394 is a video *and* audio connection, so no audio connections are required if you are using the IEEE 1394 connection and you plan to use your TV's speakers as the primary audio source.

HD video can only be viewed with DVI, IEEE 1394, or component video connections.

